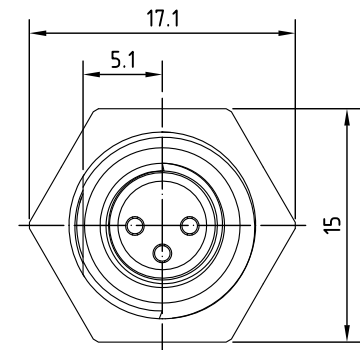
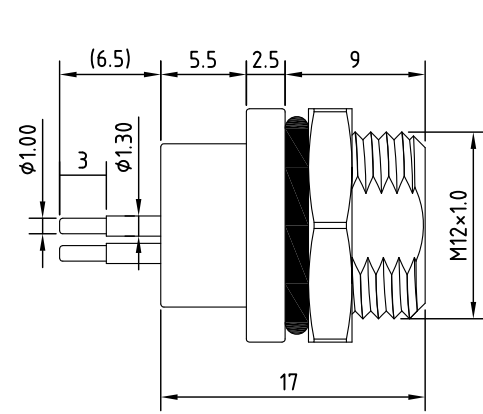
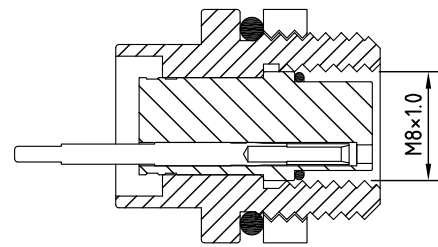


REV.	Description	Date
1	rated voltage revise	2018/10/5

### Specification of connector


Locking system : screw M8  
 Termination : DIP  
 Shell protection : IP68  
 Rated voltage : 125V  
 Rated current : 5A  
 Contact resistance :  $\leq 10\text{m}\Omega$   
 Insulation resistance :  $>10\text{M}\Omega$



RoHS  
 TOLERANCE X $\pm$ 0.5 .X $\pm$ 0.3 .XX $\pm$ 0.2

PART NO.	UT-SP205M-3P-02	UT-SP205M-4P-02
CONTACT ARRANGEMENT FRONT VIEW (FEMALE)		
PCB Layout		

5	Nut	Brass	Nickel plated
4	O ring	Rubber	
3	Body	Brass	Nickel plated
2	Pin	Brass	Gold plated
1	Housing	PA	UL94V-0
Item	Description	Material	Treat & Remark


**Unicable Co., Ltd. 國陽電業有限公司**  
 5F., No. 111-33, Sec. 4, San Ho Road., San Chung Dist., New Taipei City, Taiwan, R.O.C.  
<http://www.unicable.com.tw> TEL:+886-2-2286-2122 FAX:+886-2-2286-1010

DATE	2018/10/5	PART NO.	UT-SP205M-XP-02
DWN	GINA	REV.	1
CHK			
UNIT	MM		

ITEM	Sensor Connector M8(3-4PIN)
------	-----------------------------